

# Range and Technical Specification

## Kangoo Van

Kangoo Van



**RENAULT**

**Kangoo Van** 2006 MODEL YEAR



**KANGOO VAN 2006 MODEL YEAR:  
A HIGHLY EFFICIENT PARTNER**

Kangoo Van is the business partner you've always dreamed of! A partner you can count on, able to adapt to all the requirements of your job, who'll be a pleasure to work with, day in and day out. Designed to meet - and exceed - the specific needs of your work, it offers new equipment and an even more practical interior. Look no further: with the Kangoo Van, you have the ideal tool.



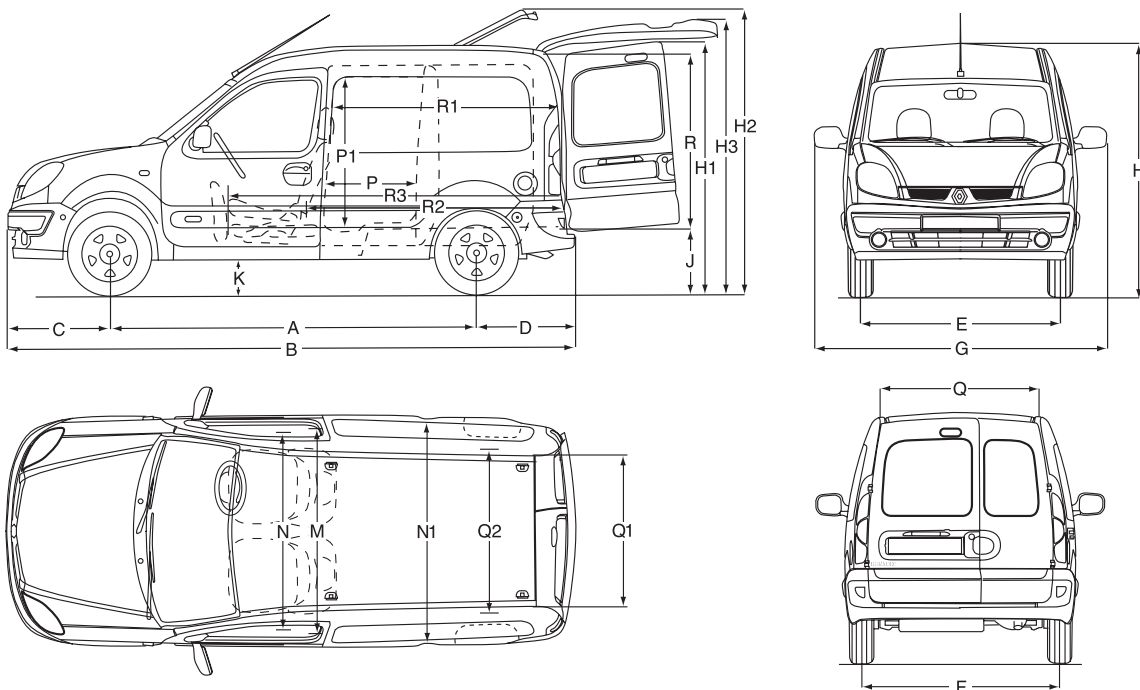
**RENAULT**  
**Kangoo Van**

# KANGOO VAN

## Dimensions (Measurements in mm)

VERSION		SL17	SL19
A	Wheelbase	2605	2605
B	Overall length	4035	4035
C	Front overhang	730	730
D	Rear overhang	700	700
E	Front track	1400	1400
F	Rear track	1410	1410
G	Overall width/with door mirrors	1672 / 2031	1672 / 2031
H	Overall height	1835	1845
H1	Height with opened rear doors	1905	1925
H2	Height with opened rear roof flap	2100	2115
H3	Height with opened rear tailgate	2075	2095
J	Unladen boot sill height	570	585
K	Ground clearance - unladen/laden	175 / 150	175 / 150
M	Front elbow width	1421	1421
N	Interior shoulder cabin width - front	1365	1365
N1	Max interior load width	1465	1465
P	Side door entry width (800mm from ground)	619	619
P1	Side door entry height	1093	1093
Q	Rear door upper entry width	1069	1069
Q1	Maximum load entry width (Lower entry width)	1219	1219
Q2	Maximum load width between wheel arches	1172 / 1132*	1172 / 1132*
R	Rear loading height	1190	1190
R1	Load length to rear headrests	1402	1402
R2	Rear load length	1675	1675
R3	Load length with passenger seat folded (optional)	2466	2466

\*1132 on '+' versions or vehicles fitted with wheel arch covers.



Information shown is for both core range and Special Edition-Heavy Duty versions

# Technical Information

VERSION	KANGOO SL17					KANGOO SL19		SPECIAL EDITION - HEAVY DUTY	
	1.2 16V EURO IV	1.6 16V auto EURO IV	1.5 dCi 60 EURO IV	1.5 dCi 70 EURO IV	1.5 dCi 85 EURO IV	1.5 dCi 70 EURO IV	1.5 dCi 85 EURO IV	1.5 dCi 65 EURO III	1.5 dCi 80 EURO III
Euro IV	FC1CAF	FC0SAA	FC1FAF	FC1EAF	FC1GAF	FC1EBF	FC1GBF	FC074F	FC08F
Seating capacity	2	2	2	2	2	2	2	2	2
<b>ENGINE</b>									
Engine	D4F	K4M	K9K	K9K	K9K	K9K	K9K	K9K	K9K
Engine capacity	1149	1598	1461	1461	1461	1461	1461	1461	1461
Injection type	Multipoint	Multipoint	Direct (Turbo) Commonrail	Direct (Turbo) Commonrail	Direct (Turbo) Commonrail	Direct (Turbo) Commonrail	Direct (Turbo) Commonrail	Direct (Turbo) Commonrail	Direct (Turbo) Commonrail
Fuel type	Petrol	Petrol	Diesel	Diesel	Diesel	Diesel	Diesel	Diesel	Diesel
Number of cylinders	4	4	4	4	4	4	4	4	4
Number of valves	16	16	8	8	8	8	8	8	8
Max engine power kW (hp) rpm	55 (75) 5500	70 (95) 5000	45 (60) 4000	50 (70) 4000	62 (85) 3750	50 (70) 4000	62 (85) 3750	48 (65) 4000	60 (80) 4000
Max torque Nm (rpm)	105 (3500)	148 (3750)	130 (1250)	160 (1500)	200 (1750)	160 (1500)	200 (1750)	170 (2000)	185 (2000)
<b>GEARBOX</b>									
Number of gears	5	BVA4	5	5	5	5	5	5	5
<b>DRIVE TRAIN</b>									
Type	FWD	FWD	FWD	FWD	FWD	FWD	FWD	FWD	FWD
<b>STEERING</b>									
Turning circle between kerbs	10.4	10.4	10.4	10.4	10.4	10.4	10.4	10.4	10.4
Number of turns lock to lock	3.4	3.4	3.4	3.4	3.4	3.4	3.4	3.4	3.4
<b>AXLES AND WHEELS</b>									
Rear	4 bar	4 bar	4 bar	4 bar	4 bar	Tubular	Tubular	Tube	Tube
Track type	Normal	Wide	Normal	Normal	Normal	Normal	Normal	Normal	Normal
Tyre size	165/70 R14 R	175/65 R14 VP	165/70 R14 R	165/70 R14 R	165/70 R14 R	165/70 R14 C	165/70 R14 C	165/70 R14 R	165/70 R14 R
<b>BRAKING</b>									
Front disc brakes (mm)	259	259	259	259	259	259	259	259	259
Rear drum (T) or disc (mm)	T	T	T	T	T	T	T	T	T
<b>PERFORMANCE</b>									
Maximum speed (mph)	95.7	100.7	87.0	92.0	97.6	92.0	97.6	88.9	96.3
Acceleration 0-62 mph std veh. (s)	14.2	12.4	17.9	16.0	11.3	16.0	11.3	16.2	12.5
<b>SPEED (mph) AT 1000 rpm</b>									
1st gear	4.01	5.42	5.18	5.18	5.25	5.16	5.25	5.10	5.10
2nd gear	7.31	9.87	9.35	9.35	9.55	9.32	9.57	9.26	9.26
3rd gear	10.74	14.80	13.18	13.18	14.81	13.17	14.79	14.29	14.29
4th gear	14.53	20.82	17.93	17.93	20.14	17.90	20.13	19.45	19.45
5th gear	18.24		23.56	23.56	25.87	23.55	25.88	24.98	24.98
<b>FUEL CONSUMPTION</b>									
CO <sub>2</sub> emissions (g/km)	165	190	144	147	139	147	139	146	139
Urban cycle (mph)	31.4	25.7	47.1	47.1	47.9	47.1	47.9	43.5	44.1
Extra Urban (mph)	47.9	44.8	54.3	54.3	57.6	54.3	57.6	57.6	61.4
Combined (mph)	40.4	35.3	52.3	51.4	53.3	51.4	53.3	51.4	53.3
<b>VOLUMES</b>									
Cargo volume (l)	2750	2750	2750	2750	2750	2750	2750	2750	2750
With optional swivelling bulkhead (l)	3000	3000	3000	3000	3000	3000	3000	3000	3000
Fuel tank capacity (l)	50	50	50	50	50	50	50	50	50
<b>WEIGHTS (KG)</b>									
Kerb weight	990	1095	1055	1060	1070	1085	1090	1206	1206
Gross vehicle weight (GVW)	1615	1620	1675	1685	1690	1885	1890	1895	1895
Gross train weight (GTW)	2400	2500	2500	2500	2500	2690	2690	2690	2690
Maximum payload	625	525	620	625	620	800	800	689	689
Braked trailer capacity	785	880	825	815	810	805	800	795	795
Unbraked trailer capacity	495	530	525	530	535	540	545	600	600

# Equipment

VERSION	SL17	SL19	SL16	SL16 Auto	SL17+	SL19+	SL16+	SL16 Auto +	SL19 HD Special Edition	SL19+ HD Special Edition
ENGINE TYPE	Euro IV	Euro IV	Euro IV	Euro IV	Euro IV	Euro IV	Euro IV	Euro IV	Euro III	Euro III
<b>SAFETY AND SECURITY</b>										
ABS	●	●	●	●	●	●	●	●	●	●
1/3 tubular bulkhead	●	●	●	●	●	●	●	●	●	●
Remote central locking (2 button key)	●	●	●	●	-	-	-	-	●	-
Remote central locking (3 button key)†	○	○	○	○	●	●	●	●	○	●
Remote central locking (3 button key) without single door opening	-	-	-	-	○	○	○	○	-	○
Driver's airbag	●	●	●	●	●	●	●	●	●	●
Passenger airbag	○	○	○	○	○	○	○	○	○	○
Passenger airbag and front lateral airbag	○	○	○	○	○	○	○	○	○	○
Swivelling bulkhead and folding passenger seat	○	○	○	○	○	○	○	○	○	○
Pre-telephone equipment	○	○	○	○	○	○	○	○	○	○
Underbody protection	○	○	○	○	○	○	○	○	○	○
<b>DRIVING AND COMFORT</b>										
14" wheels	●	●	●	●	●	●	●	●	●	●
Air conditioning with pollen filter	○	○	○	○	○	○	○	○	●	●
2 x 15W radio cassette (separate display)	○	○	○	○	○	○	○	○	○	○
2 x 15W radio CD (integrated display)	●	●	●	●	●	●	●	●	●	●
2 x 15W radio CD (separate display)	○	○	○	○	○	○	○	○	○	○
2 x 15W radio cassette (integrated display)	○	○	○	○	○	○	○	○	○	○
Electrically operated door mirrors	○	○	○	●	○	○	○	○	○	○
Electrically operated windows (one touch on driver's door)	-	○	-	-	●	●	●	●	-	●
Electrically operated windows	○	○	○	○	-	-	-	-	○	-
Electrically operated windows (one touch on driver's door) with 3 button key without single door opening†	○	○	○	○	○	○	○	○	○	○
Front fog lamps	○	○	○	○	○	○	○	○	○	○
Heat reflecting windscreen	○	○	○	○	○	○	○	○	-	○
Tinted windows	●	●	●	●	●	●	●	●	●	●
Overhead parcel shelf	○	○	○	○	●	●	●	●	○	●
Pack Cab (armrest and underseat tray)	○	○	○	○	●	●	●	●	○	●
Pack Easy (3 button key and 'see me home' headlamps)	○	○	○	○	●	●	●	●	○	●
Power assisted steering	●	●	●	●	●	●	●	●	●	●
Electric Pack (trip computer and electric door mirrors)	○	○	○	-	○	○	○	-	-	-
Rake adjustable passenger seat	●	●	●	●	●	●	●	●	●	●
Roof bars	○	○	○	○	○	○	○	○	○	○
<b>STYLING</b>										
Body coloured bumpers and body coloured electric door mirrors	-	-	-	-	○	○	○	○	-	○
Body coloured bumpers and body coloured manual door mirrors	-	-	-	-	○	○	○	○	-	○
Cloth door trim inserts	-	-	-	-	●	●	●	●	-	●
Dark grey bumpers	●	●	●	●	●	●	●	●	●	●
<b>LOAD AREA</b>										
180° opening rear doors	●	●	●	●	●	●	●	●	●	●
180° opening glazed rear doors with wash wipe	-	-	○	○	○	○	○	○	○	○
Load area floor covering	○	○	○	○	●	●	●	●	○	●
Rear side anchorage points (adjustable)	○	○	○	○	●	●	●	●	○	●
Rear wheel arch covers	-	-	-	-	●	●	●	●	-	●
Roof flap (plastic)*	○	○	○	○	○	○	○	○	○	○
Roof flap (glass)*	○	○	○	○	○	○	○	○	○	○
Side loading door (left) - glazed and 180° opening rear doors (glazed) with rear wash/wipe	-	-	-	-	○	○	○	○	-	○
Side loading door (left) - glazed with tailgate and rear wash/wipe	-	-	-	-	○	○	○	○	-	○
Side loading door (left) - unglazed	○	○	○	○	●	●	●	●	○	●
Side loading door (right) - unglazed	-	-	-	-	○	○	○	○	-	○
Tailgate with rear wash wipe	○	○	○	○	○	○	○	○	○	○
Side loading doors (left and right) - glazed and 180° rear doors with rear wash/wipe	○	○	○	○	○	○	○	○	○	○
Side loading doors (left and right) with tailgate and wash wipe	○	○	○	○	○	○	○	○	○	○

● = Standard ○ = Option - = Unavailable HD = Heavy Duty

\* Not available with tailgate

† Must be ordered with Pack Easy

Renault U.K. tries to be as accurate and up to date as possible, however Renault U.K. reserves the right to modify its models without notice including their characteristics, specifications, equipment and accessories. Brochures inevitably become out of date or inaccurate in some respects, in that such characteristics, equipment, specifications or accessories may be changed after the publication date given below and can differ from the descriptions given. It is therefore necessary to check with your Renault dealer before purchasing any product that the characteristics, specifications, equipment or accessories of the vehicle on order are as advertised. Publication date December 2005.



**CRÉATEUR D'AUTOMOBILES**